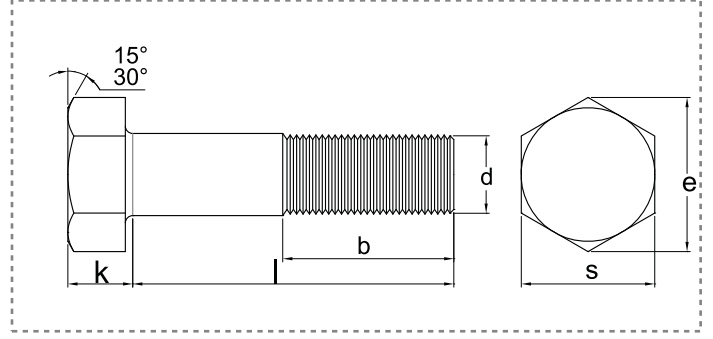
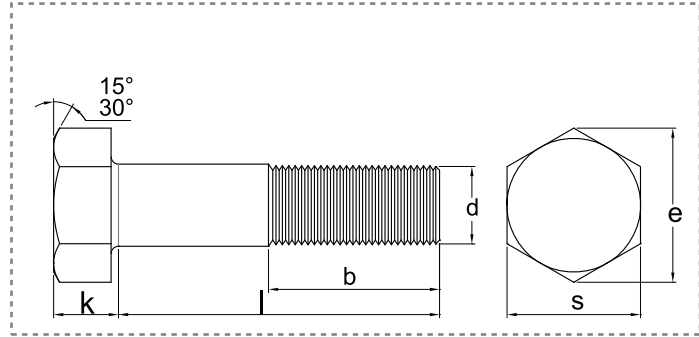


ASME B 18.2.1 Gr.5**ALTI KÖŞE BAŞLI UNC VE UNF CIVATA
HEXAGON HEAD UNC & UNF THREADED BOLTS
SECHSKANTSCHRAUBE MIT UNC & UNF GEWINDE****Technical Informations / Teknik Bilgiler**

Thread size / Anma çapı (d)		1/4	5/16	3/8	7/16	1/2	9/16
Pitch/ Diş Adımı	p	6,35	7,94	9,52	1,00	12,70	14,29
	UNC	20,00	18,00	16,00	14,00	13,00	12,00
Head height / Kafa Yüksekliği	k	4,14	5,36	6,17	7,39	8,20	9,42
	max.	3,81	4,95	5,74	6,91	7,67	8,84
Head width / Anahtar Ağızı	s	11,13	12,70	14,27	15,88	19,05	20,62
	max.	10,87	12,42	14,00	15,54	18,69	20,27
Diagonal / Köşegen	e	12,83	14,66	16,51	18,34	22,00	23,83
	min.	12,40	14,15	15,95	17,73	21,34	23,11

Thread size / Anma çapı (d)		1/4	5/16	3/8	7/16	1/2	9/16
Length / Boy		Weight / Ağırlık gr/p					
5/8	15,88	5,94	9,98	14,70			
3/4	19,05	6,53	10,93	16,10	23,04	36,74	
7/8	22,23	7,12	11,88	17,51	24,95	39,28	
1	25,40	7,89	12,84	18,91	26,85	41,82	51,17
1 1/8	28,58	8,66	14,06	20,48	28,76	44,36	54,41
1 1/4	31,75	9,43	15,29	22,04	30,66	46,90	57,65
1 3/8	34,93	10,23	16,51	23,81	33,07	49,74	60,89
1 1/2	38,10	11,02	17,74	25,58	35,47	52,57	64,14
1 5/8	41,28	11,79	18,96	27,35	37,87	55,70	68,11
1 3/4	44,45	12,56	20,18	29,12	40,28	58,83	72,08
1 7/8	47,63	13,36	21,41	30,87	42,68	61,96	76,04
2	50,80	14,15	22,63	32,61	45,09	65,09	80,01
2 1/8	53,98	14,92	23,84	34,38	47,49	68,22	83,98
2 1/4	57,15	15,69	25,04	36,15	49,90	71,35	87,95
2 3/8	60,33	16,49	26,26	37,90	52,30	74,48	91,92
2 1/2	63,50	17,28	27,49	39,64	54,70	77,61	95,89

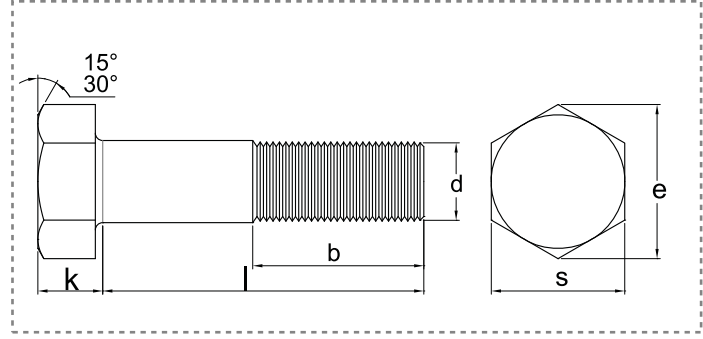
Values are given in millimeters. / Değerler milimetre olarak verilmiştir.

ASME B 18.2.1 Gr.5**ALTI KÖŞE BAŞLI UNC VE UNF CIVATA
HEXAGON HEAD UNC & UNF THREADED BOLTS
SECHSKANTSCHRAUBE MIT UNC & UNF GEWINDE****Technical Informations / Teknik Bilgiler**

Thread size / Anma çapı (d)			5/8	3/4	7/8	1'
Pitch/ Diş Adımı	p	mm.	15,88	19,05	22,22	25,40
		UNC	11,00	10,00	9,00	8,00
		UNF	18,00	16,00	14,00	12,00
Head height / Kafa Yüksekliği	k	max.	10,24	12,27	14,30	15,93
		min.	9,60	11,56	13,49	15,01
Head width / Anahtar Ağızı	s	max.	23,83	28,58	33,32	38,10
		min.	23,42	27,94	32,64	37,31
Diagonal / Köşegen	e	max.	27,51	32,99	38,51	43,99
		min.	26,70	31,85	37,21	42,55

Thread size / Anma çapı (d)		5/8	3/4	7/8	1'
Length / Boy		Weight / Ağırlık gr/p			
2 5/8	66,68	127,94	194,57		
2 3/4	69,85	132,81	201,62		
2 7/8	73,03	137,71	208,68		
3	76,20	142,61	215,73	311,96	416,66
3 1/4	82,55	152,36	229,84		
3 1/2	88,90	162,16	143,94	351,36	466,65
3 1/4	95,25	171,91	258,05		
4	101,60	181,71	272,16	390,75	516,64
4 1/4	108,00	191,48	286,26		
4 1/2	114,30	201,26	300,37	430	566,62
4 3/4	120,70	211,03	314,48		
5	127,00	220,81	328,58	469,53	616,6
5 1/4	133,40	230,58	342,69		
5 1/2	139,70	240,36	356,80	508,93	666,6
5 3/4	146,10	250,13	370,90		
6	152,40	259,91	385,01	548	716,59

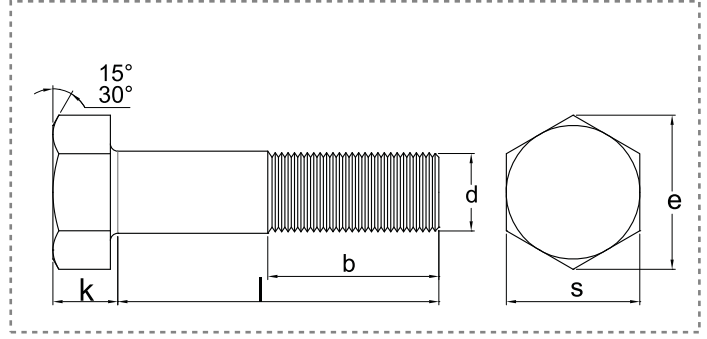
Values are given in millimeters. / Değerler milimetre olarak verilmiştir.

ASME B 18.2.1 Gr.5**ALTI KÖŞE BAŞLI UNC VE UNF CIVATA
HEXAGON HEAD UNC & UNF THREADED BOLTS
SECHSKANTSCHRAUBE MIT UNC & UNF GEWINDE****Technical Informations / Teknik Bilgiler**

Thread size / Anma çapı (d)			5/8	3/4	7/8	1"
Pitch/ Diş Adımı	p	mm.	15,88	19,05	22,22	25,40
		UNC	11,00	10,00	9,00	8,00
		UNF	18,00	16,00	14,00	12,00
Head height / Kafa Yüksekliği	k	max.	10,24	12,27	14,30	15,93
		min.	9,60	11,56	13,49	15,01
Head width / Anahtar Ağızı	s	max.	23,83	28,58	33,32	38,10
		min.	23,42	27,94	32,64	37,31
Diagonal / Köşegen	e	max.	27,51	32,99	38,51	43,99
		min.	26,70	31,85	37,21	42,55

Thread size / Anma çapı (d)		5/8	3/4	7/8	1"
Length / Boy		Weight / Ağırlık gr/p			
5/8	15,88				
3/4	19,05				
7/8	22,23				
1	25,40	68,76			
1 1/8	28,58	72,78			
1 1/4	31,75	76,79	122,74		
1 3/8	34,93	80,81	128,64		
1 1/2	38,10	84,82	134,54		
1 5/8	41,28	89,27	104,43		
1 3/4	44,45	93,71	146,33	218,73	301,54
1 7/8	47,63	98,61	152,82		
2	50,80	103,51	159,30	234,79	322,60
2 1/8	53,98	108,39	166,36		
2 1/4	57,15	113,26	173,41		
2 3/8	60,33	118,16	180,46		
2 1/2	63,50	123,06	187,20	272,57	364,72

Values are given in milimeters. / Değerler milimetre olarak verilmiştir.

ASME B 18.2.1 Gr.5**ALTI KÖŞE BAŞLI UNC VE UNF CIVATA
HEXAGON HEAD UNC & UNF THREADED BOLTS
SECHSKANTSCHRAUBE MIT UNC & UNF GEWINDE****Technical Informations / Teknik Bilgiler**

Thread size / Anma çapı (d)			1/4	5/16	3/8	7/16	1/2	9/16
Pitch/ Diş Adımı	p	mm.	6,35	7,94	9,52	1,00	12,70	14,29
		UNC	20,00	18,00	16,00	14,00	13,00	12,00
		UNF	28,00	24,00	24,00	20,00	20,00	18,00
Head height / Kafa Yüksekliği	k	max.	4,14	5,36	6,17	7,39	8,20	9,42
		min.	3,81	4,95	5,74	6,91	7,67	8,84
Head width / Anahtar Ağızı	s	max.	11,13	12,70	14,27	15,88	19,05	20,62
		min.	10,87	12,42	14,00	15,54	18,69	20,27
Diagonal / Köşegen	e	max.	12,83	14,66	16,51	18,34	22,00	23,83
		min.	12,40	14,15	15,95	17,73	21,34	23,11

Thread size / Anma çapı (d)			1/4	5/16	3/8	7/16	1/2	9/16
Length / Boy			Weight / Ağırlık gr/p					
2 5/8	66,68		18,05	28,71	41,41	57,11	80,74	99,88
2 3/4	69,85	d: 1/4 - 3/8 -	18,82	29,94	43,18	59,51	83,87	103,87
2 7/8	73,03	1,01 / -1,52 d:	19,92	31,16	44,95	61,92	87,00	107,84
3	76,20	7/16 - 1/2 -1,52	20,41	32,39	46,72	64,32	90,13	11,81
3 1/4	82,55	/ -2,03 d: 9/16 -	21,95		50,21	69,13	96,39	119,75
3 1/2	88,90	3/4 +2,03 / -	23,54		53,75	73,94	102,65	127,69
3 1/4	95,25	2,54	25,08		57,24	78,74	108,91	135,62
4	101,60		26,67		60,78	83,51	115,17	143,56
4 1/4	108,00		28,24		64,30	88,31	121,43	151,50
4 1/2	114,30	d: 1/4 - 3/8	29,80		67,81	93,12	127,69	159,44
4 3/4	120,70	+1,52 / -2,54	31,37		71,33	97,93	133,95	167,38
5	127,00	d:7/16 - 1/2	32,93		74,84	102,74	140,21	175,31
5 1/4	133,40	+2,03 / -2,54			78,38	107,55	146,60	183,27
5 1/2	139,70	d:9/16 - 3/4			81,92	112,35	152,72	191,23
5 3/4	146,10	+2,54 / -2,54			85,43	117,16	158,98	199,17
6	152,40				88,95	121,97	165,24	207,11

Values are given in millimeters. / Değerler milimetre olarak verilmiştir.